

Fridge Divider for the GC600 and GC680

Installation instructions

Introduction

This Fridge Divider is designed to be installed without the need for any permanent alterations to your VW Grand California, the process should take approximately 5 minutes.

Tools Required

You will need a standard Philips or PZ2 cross head shaped screwdriver (not supplied).

Installation steps

1. Slightly loosen the two clamp screws to open the clamp jaws at each end of the rail as shown in Figure 1.
2. Present the fridge divider at approximately 45° to the existing fridge rails as shown in Figure 2. Then slide the clamp jaws along until the fridge divider rails sit perpendicular to the original fridge rails.
3. If necessary the fridge divider can be compressed or extended ($\pm 1\text{cm}$) to fit, do this by sliding the clamp heads along the rail as indicated in Figure 3.
4. When you are happy with the position tighten both clamp screws to fix the fridge divider in place as shown in Figure 4. They do not need to be overtightened, hand tight is sufficient.

Figures 1-4

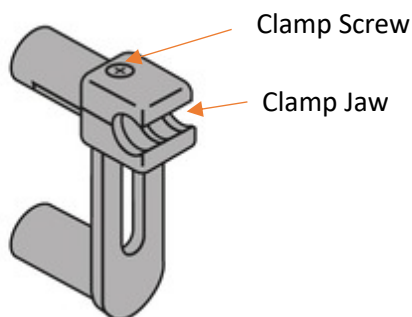


Figure 1 – Clamp screw and clamp jaw.



Figure 2 – Present at 45° to the original rails, then rotate into position.



Figure 3 – If necessary, compress or extend the fridge divider.



Figure 4 – Tighten both clamp screws to fix in place.

Installation complete.

We hope you enjoy your new fridge divider. If you encounter any difficulties, please do not hesitate to contact us for advice and support:

by e-mail: hello@yescampervan.co.uk

On our web page: www.YesCampervan.co.uk

Please could you take a moment to leave a review on our Google profile or Facebook page? As a small but growing family business we really appreciate your feedback and support in this way, just scan the QR code below:

Google Reviews



Facebook



Instagram



Yescampervan.co.uk

